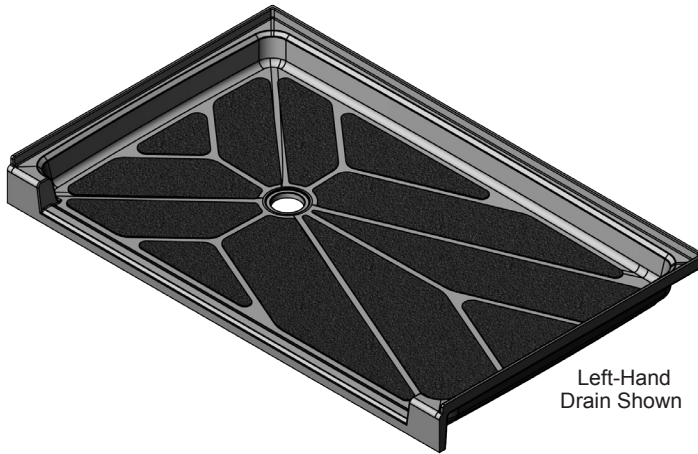


# MERIDIAN SOLID SURFACE ONE-PIECE SHOWER BASE

Model # MSB6153675SACCOL (Left-Hand)  
 Model # MSB6153675SACCOR (Right-Hand)

**61.5" x 36.75"**

## Accessible Offset Drain



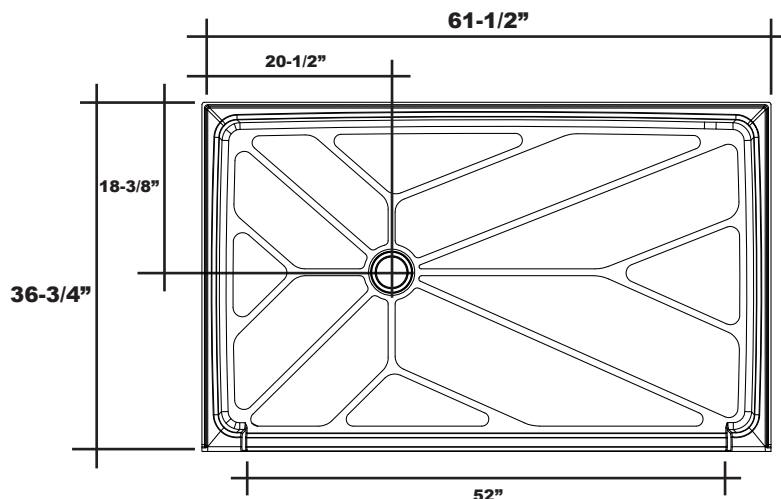
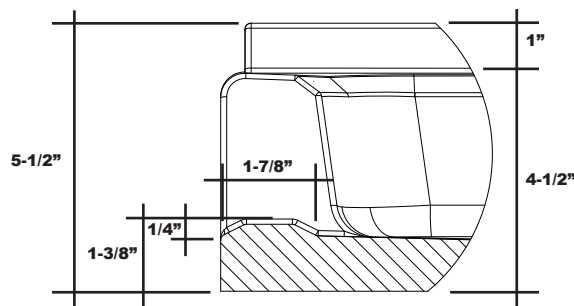
Left-Hand  
Drain Shown

### Special Note:

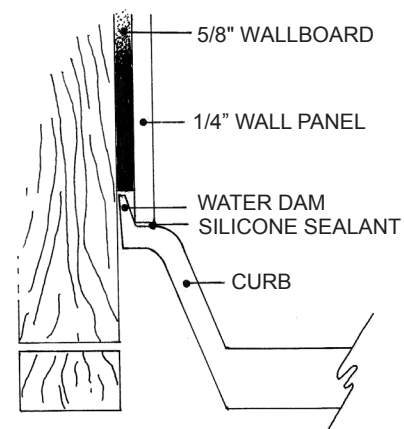
- Interpretation and enforcement of ADA guidelines varies from state to state. Please consult with your local enforcement agency prior to specifying or purchasing this product.

- Integral shower floor and threshold for alcove installation
- Choose from a variety of solid colors and granite-patterned colors
- Offset drain configuration allows base to be used for right or left drain installation
- Easy to clean surface, does not promote mold or mildew
- Textured flooring helps prevent slipping
- Tapered floor helps water flow to drain
- Rigid water barrier integrated into base
- Uses standard 2" NPS strainer assembly
- Certified by Home Innovation Research Labs to the harmonized CSA B45.5/IAPMO Z124
- Approved by the Massachusetts Board of Examiners of Plumbers and Gasfitters

### Threshold Detail



### Section Thru Waterdam



Massillon, OH 44647  
 330-837-2216

[www.TowerShowers.com](http://www.TowerShowers.com)

[www.TowerSinks.com](http://www.TowerSinks.com)

[www.TowerSurfaces.com](http://www.TowerSurfaces.com)

